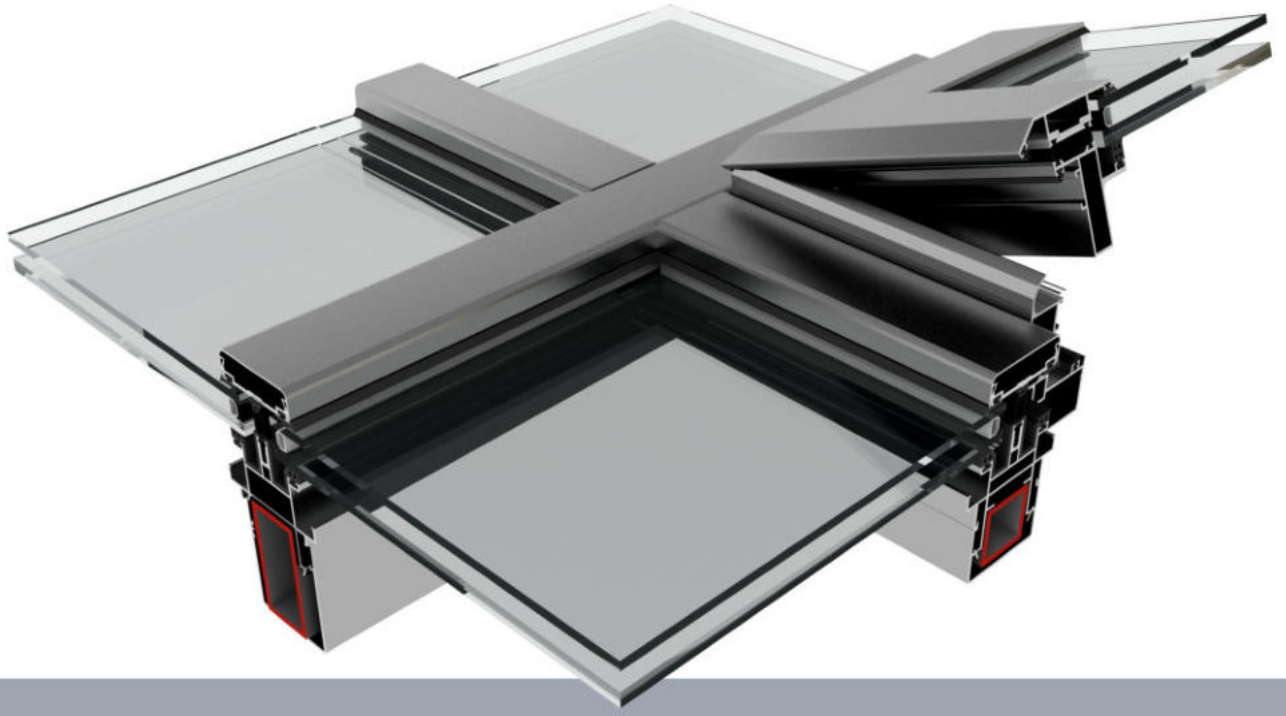
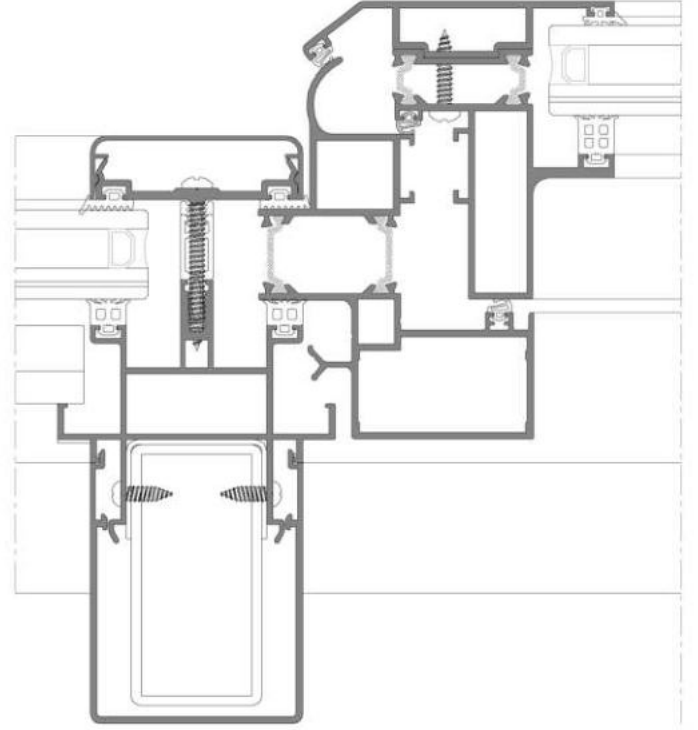
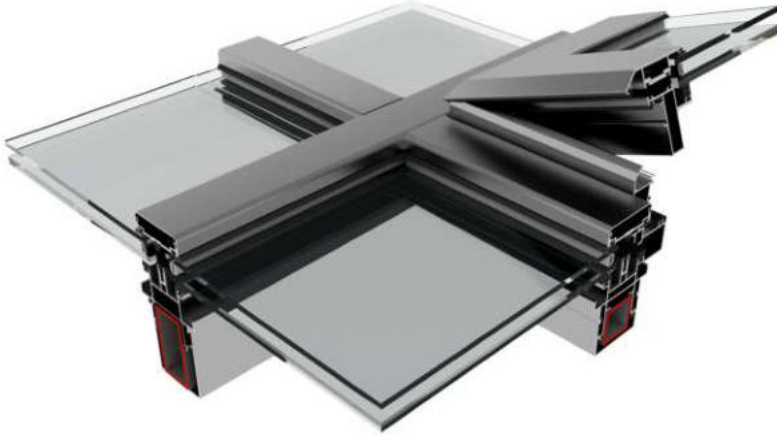




Cephe Sistem  
Facade System



# SK65



#### TEKNİK ÖZELLİKLER / TECHNICAL PROPERTIES

<b>Profil Geniřliđi / Profile Width</b>	<b>65 mm</b>
<b>Profil Et Kalınlıđı / Profile Wall Thickness</b>	<b>1,8 - 2,5 mm</b>
<b>Düřey Tařıyıcı Profil Derinliđi / Mullion Profile Depth</b>	<b>81 mm</b>
<b>Yatay Tařıyıcı Profil Derinliđi / Transom Profile Depth</b>	<b>81 mm</b>
<b>Min. Cam Kalınlıđı / Min. Glazing Thickness</b>	<b>10 mm</b>
<b>Maks. Cam Kalınlıđı / Max. Glazing Thickness</b>	<b>45 mm</b>
<b>Min. Kanat Boyut / Min. Sash Dimension</b>	<b>140 - 40 mm</b>
<b>Maks. Kanat Boyut / Max. Sash Dimension</b>	<b>140 - 40 mm</b>
<b>Maks. Kanat Ađırlıđı / Max. Sash Weight</b>	<b>130 kg</b>

#### UYGULAMA SEĐENEKLERİ / APPLICATION OPTIONS

**Kapaklı Cephe / Covered Facade**



**Entegre Cephe / Integrated Facade**



PROFİL KESİTİ PROFILE SECTION	PROFİL KODU PROFILE CODE	PROFİL ADI PROFILE NAME	Jx cm <sup>4</sup>	Jy cm <sup>4</sup>	AĞIRLIK (kg/m) WEIGHT
	12213	DÜŞEY PROFİL VERTICAL PROFILE	35,65 cm <sup>4</sup>	25,49 cm <sup>4</sup>	1,921 kg/m
	12214	YATAY PROFİL HORIZONTAL PROFILE	40,41 cm <sup>4</sup>	24,15 cm <sup>4</sup>	2,103 kg/m
	5105	ÇELİK GÖVDE PROFİL STEEL BODY PROFILE	21,25 cm <sup>4</sup>	5,81 cm <sup>4</sup>	0,824 kg/m
	5106	ÇELİK GÖVDE PROFİL STEEL BODY PROFILE	37,14 cm <sup>4</sup>	34,76 cm <sup>4</sup>	1,258 kg/m
	5107	ÇELİK GÖVDE PROFİL STEEL BODY PROFILE	175,19 cm <sup>4</sup>	72,65 cm <sup>4</sup>	2,309 kg/m
	12298-12299	KASA PROFİL FRAME PROFILE	92,01 cm <sup>4</sup>	51,92 cm <sup>4</sup>	2,661 kg/m
	12300-12301	KANAT PROFİL SASH PROFILE	33,45 cm <sup>4</sup>	18,69 cm <sup>4</sup>	1,724 kg/m
	12303	CAM ADAPTÖR PROFİL GLAZING ADAPTER PROFILE	21,90 cm <sup>4</sup>	1,32 cm <sup>4</sup>	0,946 kg/m
	5102	KAPAK PROFİL COVER PROFILE	-	-	0,387 kg/m
	5103	KAPAK PROFİL COVER PROFILE	-	-	0,433 kg/m
	5104	KAPAK ALTI PROFİL SUB-COVER PROFILE	-	-	0,569 kg/m
	5097	İZOLATÖR PROFİL ISOLATOR PROFILE	-	-	0,198 kg/m
	5059	İZOLATÖR PROFİL ISOLATOR PROFILE	-	-	0,210 kg/m
	6117	CAM ARASI KLİPS PROFİL GLAZING BETWEEN CLIP PROFILE	-	-	0,254 kg/m
	1695	KÖPE TAKOZ PROFİL CORNER WEDGE PROFILE	-	-	2,540 kg/m
	3546	KÖPE TAKOZ PROFİL CORNER WEDGE PROFILE	-	-	3,357 kg/m
	3547	KÖPE TAKOZ PROFİL CORNER WEDGE PROFILE	-	-	4,884 kg/m
	598	KÖPE TAKOZ PROFİL CORNER WEDGE PROFILE	-	-	1,677 kg/m
	1697	KÖPE TAKOZ PROFİL CORNER WEDGE PROFILE	-	-	4,212 kg/m

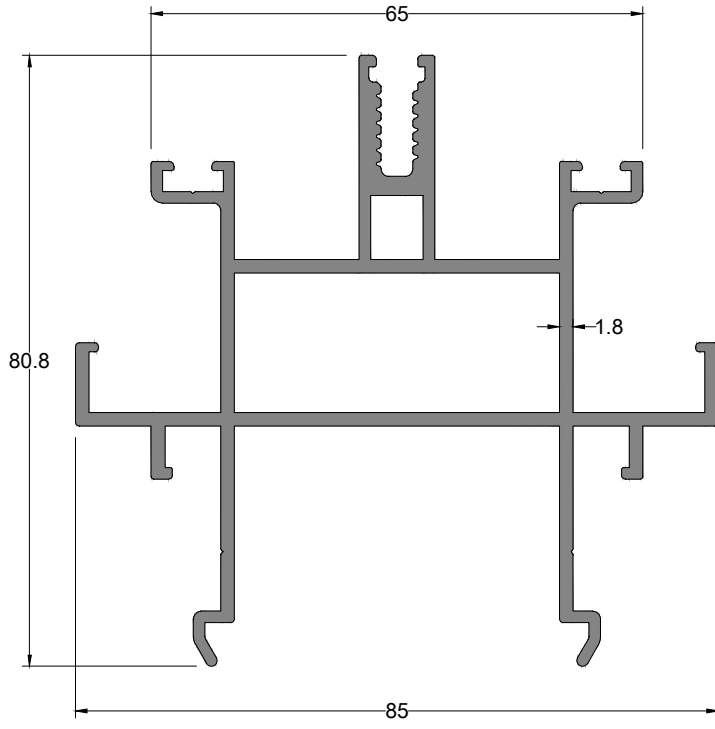
\*\* Her profil için minimum sipariş 300 kg'dır.  
 \*\* Minimum order quantity is 300 kg per profile.

AKSESUAR ACCESSORY	STOK KODU REFERENCE CODE	AKSESUAR ADI DESCRIPTION	AKSESUAR KODU PRODUCT CODE	PAKET PACK
	AKS1274	CEPHE CAM FİTİLİ FACADE GLAZING GASKET	SKY65-CSK.08 (8 MM)	15 mt / paket 8.3 kg
	AKS1237	CEPHE CAM FİTİLİ (3 mm) FACADE GLAZING GASKET (3 mm)	SKY65-CF.03	169 mt / paket 10 kg
	AKS1238	CEPHE CAM FİTİLİ (4 mm) FACADE GLAZING GASKET (4 mm)	SKY65-CF.04	128 mt / paket 10 kg
	AKS1239	CEPHE CAM FİTİLİ (5 mm) FACADE GLAZING GASKET (5 mm)	SKY65-CF.05	128 mt / paket 10 kg
	AKS1241	CEPHE CAM FİTİLİ (6 mm) FACADE GLAZING GASKET (6 mm)	SKY65-CF.06	94 mt / paket 10 kg
	AKS1242	CEPHE CAM FİTİLİ (7 mm) FACADE GLAZING GASKET (7 mm)	SKY65-CF.07	92 mt / paket 10 kg
	AKS1243	CEPHE CAM FİTİLİ (8 mm) FACADE GLAZING GASKET (8 mm)	SKY65-CF.08	87 mt / paket 10 kg
	AKS1244	CEPHE CAM FİTİLİ (9 mm) FACADE GLAZING GASKET (9 mm)	SKY65-CF.09	80 mt / paket 10 kg
	AKS1320	CEPHE CAM FİTİLİ (10 mm) FACADE GLAZING GASKET (10 mm)	SKY65-CF.10	75 mt / paket 10 kg
	AKS1245	CEPHE CAM FİTİLİ (11 mm) FACADE GLAZING GASKET (11 mm)	SKY65-CF.11	68 mt / paket 10 kg

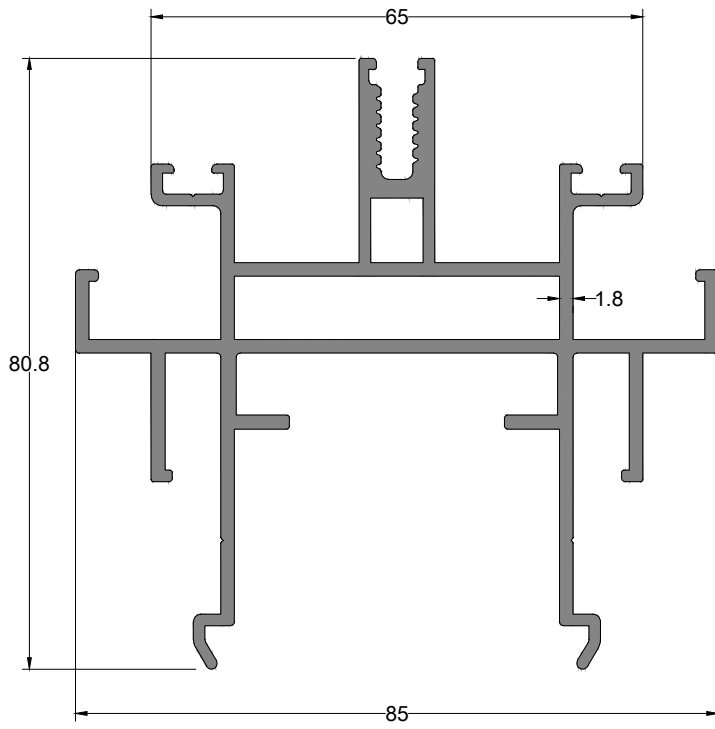
AKSESUAR ACCESSORY	STOK KODU REFERENCE CODE	AKSESUAR ADI DESCRIPTION	AKSESUAR KODU PRODUCT CODE	PAKET PACK
	AKS1246	CEPHE CAM FİTİLİ (12 mm) FACADE GLAZING GASKET (12 mm)	SKY65-CF.12	64 mt / paket 10 kg
	AKS1247	CEPHE CAM FİTİLİ (13 mm) FACADE GLAZING GASKET (13 mm)	SKY65-CF.13	60 mt / paket 10 kg
	AKS1248	CEPHE CAM FİTİLİ (14 mm) FACADE GLAZING GASKET (14 mm)	SKY65-CF.14	56 mt / paket 10 kg
	AKS1249	CEPHE CAM FİTİLİ (15 mm) FACADE GLAZING GASKET (15 mm)	SKY65-CF.15	54 mt / paket 10 kg
	AKS1250	CEPHE CAM FİTİLİ (16 mm) FACADE GLAZING GASKET (16 mm)	SKY65-CF.16	46 mt / paket 10 kg
	AKS1252	CEPHE CAM FİTİLİ (18 mm) FACADE GLAZING GASKET (18 mm)	SKY65-CF.18	42 mt / paket 10 kg
	AKS1289	KAPAK ALTI DIŞ CAM FİTİLİ UNDER COVER OUTHUR GLAZING GASKET	SKY65-KF.30	136 mt / paket 10 kg
	AKS1290	KAPAK ALTI DIŞ CAM FİTİLİ UNDER COVER OUTHUR GLAZING GASKET	SKY65-KF.50	103 mt / paket 10 kg
	AKS7176	CEPHE ISI İZOLATÖR FİTİLİ (3 mm) FACADE THERMAL INSULATOR GASKET (3 mm)	SKY65-IF.03	212 mt / paket 10 kg/mt
	AKS1378	CEPHE ISI İZOLATÖR FİTİLİ (4 mm) FACADE THERMAL INSULATOR GASKET (4 mm)	SKY65-IF.04	166 mt / paket 10 kg/mt

AKSESUAR ACCESSORY	STOK KODU REFERENCE CODE	AKSESUAR ADI DESCRIPTION	AKSESUAR KODU PRODUCT CODE	PAKET PACK
	AKS7177	CEPHE ISI İZOLATÖR FİTİLİ (5 mm) FACADE THERMAL INSULATOR GASKET (5 mm)	SKY65-IF.05	147 mt / paket 10 kg/mt
	AKS1379	CEPHE ISI İZOLATÖR FİTİLİ (6 mm) FACADE THERMAL INSULATOR GASKET (6 mm)	SKY65-IF.06	140 mt / paket 10 kg/mt
	AKS1380	CEPHE ISI İZOLATÖR FİTİLİ (7 mm) FACADE THERMAL INSULATOR GASKET (7 mm)	SKY65-IF.07	121 mt / paket 10 kg/mt
	AKS7178	CEPHE ISI İZOLATÖR FİTİLİ (9 mm) FACADE THERMAL INSULATOR GASKET (9 mm)	SKY65-IF.09	96 mt / paket 10 kg/mt
	AKS1287	KANAT FİTİLİ SASH GASKET	SKY65-KBF.56	238 mt / paket 10 kg
	AKS1254	DIŞ CAM FİTİLİ OUTER GLAZING GASKET	SKY65-DCF.30	196 mt / paket 10 kg
	AKS473	CEPHE ISI İZOLATÖR (6 mm) FACADE THERMAL INSULATOR (6 mm)	SKY65-PLS.06	125 mt / 25 boy
	AKS472	CEPHE ISI İZOLATÖR (20 mm) FACADE THERMAL INSULATOR (20 mm)	SKY65-PLS.20	125 mt / 25 boy
	AKS6121	CAM ARASI KLİPS GLAZING BETWEEN CLIP	SKY65-CAK.180	100 ad / paket

AKSESUAR ACCESSORY	STOK KODU REFERENCE CODE	AKSESUAR ADI DESCRIPTION	AKSESUAR KODU PRODUCT CODE	PAKET PACK
	AKS64	SİSTEM KAPI MENTEŞE (ELOKSALLI) SYSTEM DOOR HINGE (ANODIZED)	SKY65-KM.111	10 ad / 1 pk
	AKS65	SİSTEM KAPI MENTEŞE (BEYAZ) SYSTEM DOOR HINGE (WHITE)	SKY65-KM.112	10 ad / 1 pk
	AKS66	SİSTEM KAPI MENTEŞE (RENKLİ) SYSTEM DOOR HINGE (COLORED)	SKY65-KM.113	10 ad / 1 pk
	AKS2344	Ø4.8X16 mm YSB SAC VİDA Ø4.8X16 mm CURVED TOP SCREW	SKY65-SC.941	250 ad / paket
	AKS2346	Ø4.8X22 mm YSB SAC VİDA Ø4.8X22 mm CURVED TOP SCREW	SKY65-SC.936	250 ad / paket
	AKS2347	Ø4.8X25 mm YSB SAC VİDA Ø4.8X25 mm CURVED TOP SCREW	SKY65-SC.937	250 ad / paket
	AKS2348	Ø4.8X32 mm YSB SAC VİDA Ø4.8X32 mm CURVED TOP SCREW	SKY65-SC.938	250 ad / paket
	AKS2349	Ø4.8X38 mm YSB SAC VİDA Ø4.8X32 mm CURVED TOP SCREW	SKY65-SC.939	250 ad / paket
	AKS2350	Ø4.8X45 mm YSB SAC VİDA Ø4.8X32 mm CURVED TOP SCREW	SKY65-SC.940	250 ad / paket
	AKS2351	Ø4.8X50 mm YSB SAC VİDA Ø4.8X50 mm CURVED TOP SCREW	SKY65-SC.941	250 ad / paket
	AKS2352	Ø4.8X60 mm YSB SAC VİDA Ø4.8X60 mm CURVED TOP SCREW	SKY65-SC.942	250 ad / paket

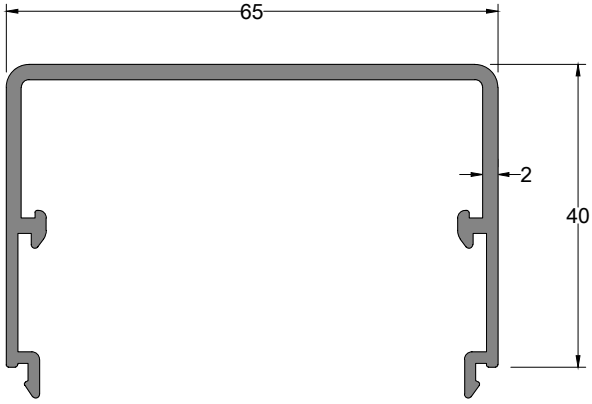


Düsey Profili	Profil Kodu	(kg/mt)	Jx cm <sup>4</sup>	Jy cm <sup>4</sup>
VERTICAL PROFILE	Profile Code	weight		
	12213	1,921	35,65	25,49

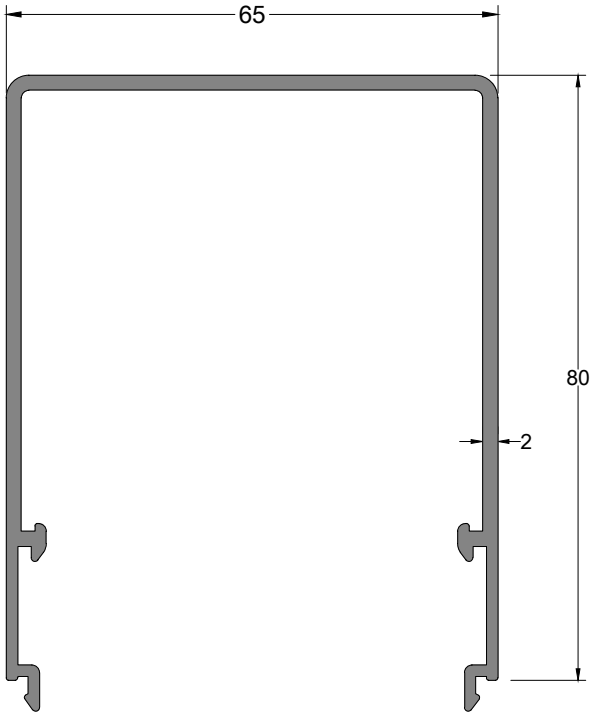


Yatay Profili	Profil Kodu	(kg/mt)	Jx cm <sup>4</sup>	Jy cm <sup>4</sup>
HORIZONTAL PROFILE	Profile Code	weight		
	12214	2,103	40,41	24,15

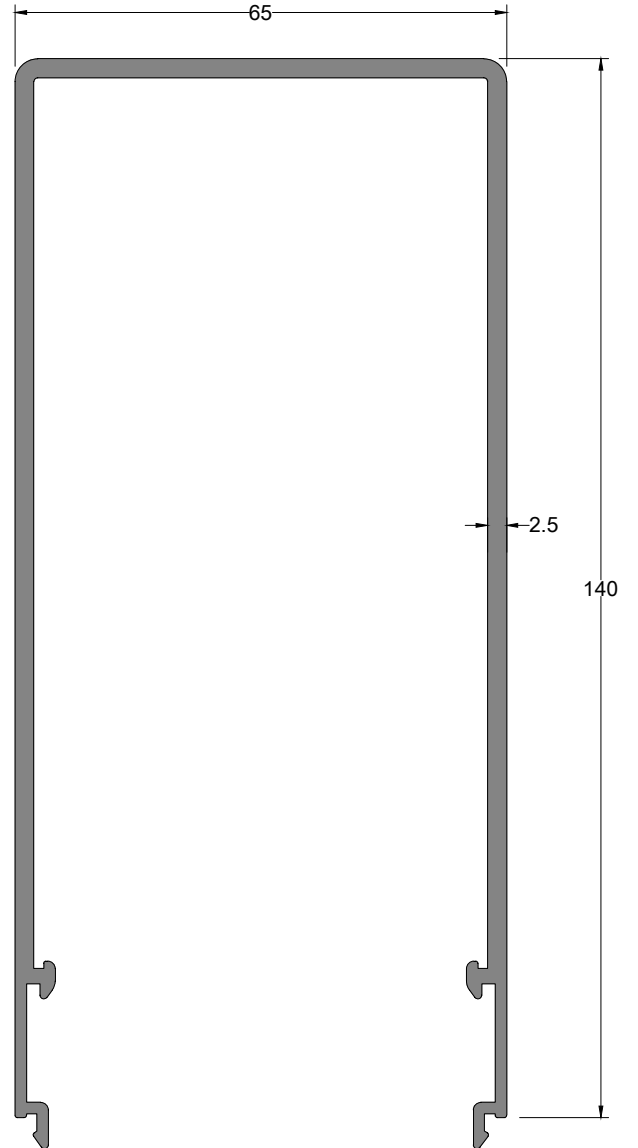




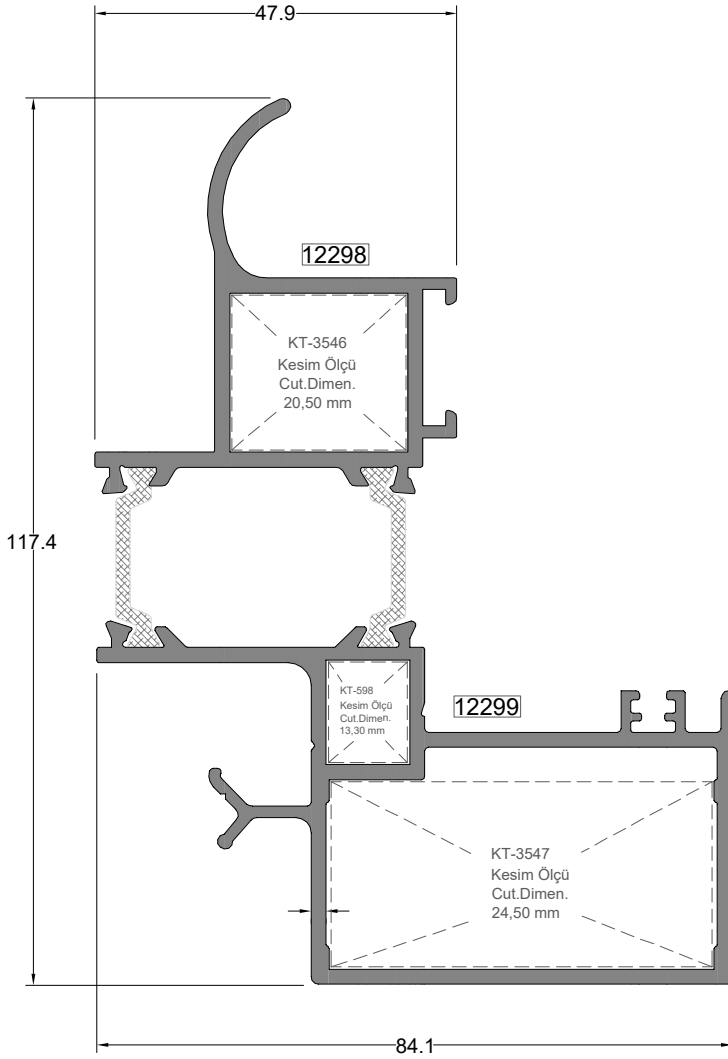
Çelik Gövde Profili STEEL BODY PROFILE	Profil Kodu Profile Code	(kg/mt) weight	Jx cm	Jy cm
	5105	0,824	21,25	5,81



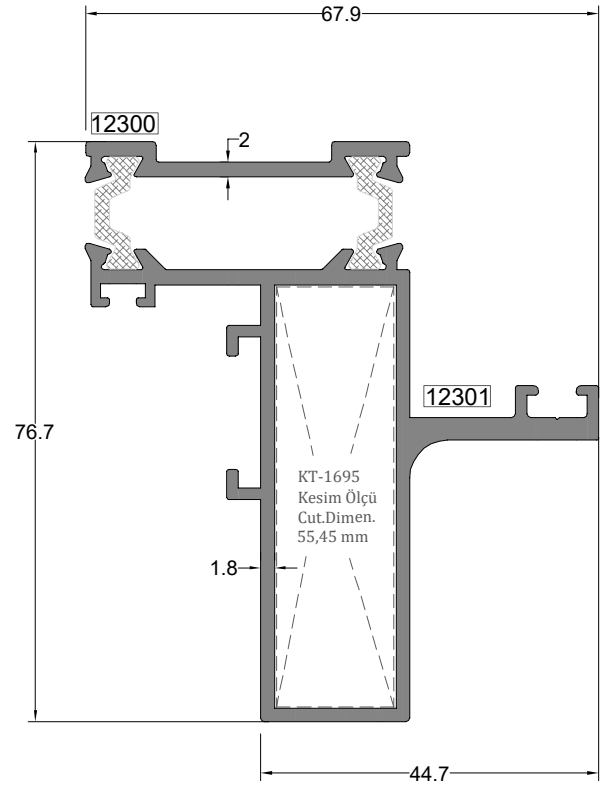
Çelik Gövde Profili STEEL BODY PROFILE	Profil Kodu Profile Code	(kg/mt) weight	Jx cm	Jy cm
	5106	1,258	37,14	34,76



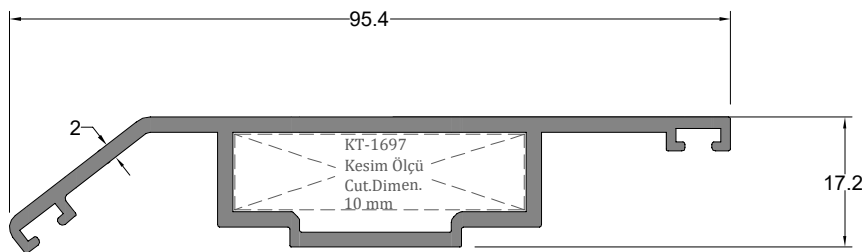
Çelik Gövde Profili STEEL BODY PROFILE	Profil Kodu Profile Code	(kg/mt) weight	Jx cm	Jy cm
	5107	2,309	175,19	72,65



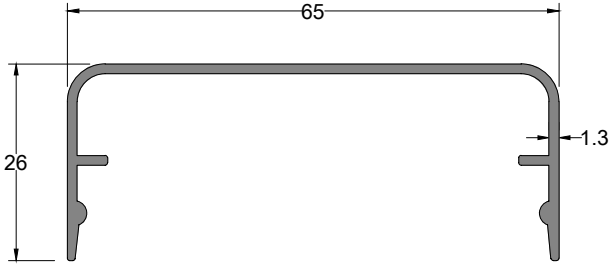
Kasa Profili	Profil Kodu	(kg/mt)	Jx cm	Jy cm
FRAME PROFILE	Profile Code	Weight		
	12298-12299	2,661	92,01	51,92



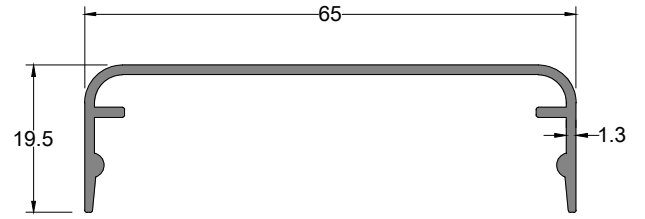
Kanat Profili	Profil Kodu	(kg/mt)	Jx cm	Jy cm
SASH PROFILE	Profile Code	Weight		
	12300-12301	1,724	33,45	18,69



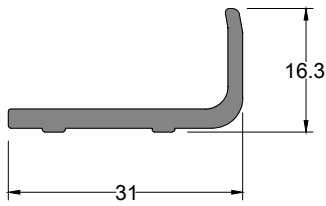
Cam Adaptör Profili	Profil Kodu	(kg/mt)	Jx cm	Jy cm
GLAZING ADAPTER PROFILE	Profile Code	Weight		
	12303	0,946	21,90	1,32



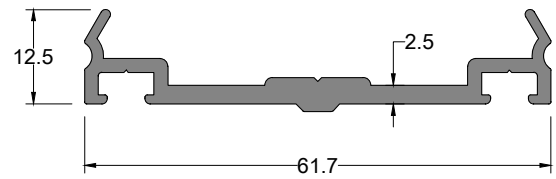
Kapak Profili	Profil Kodu	(kg/mt)
COVER PROFILE	Profile Code	weight
	5103	0,433



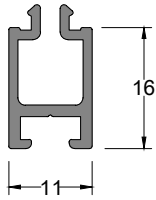
Kapak Profili	Profil Kodu	(kg/mt)
COVER PROFILE	Profile Code	weight
	5102	0,387



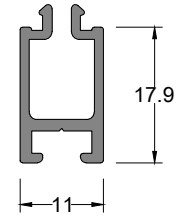
Cam Altı Takoz Profili	Profil Kodu	(kg/mt)
GLASS UNDER WEDGE PROFILE	Profile Code	weight
	5113	0,282



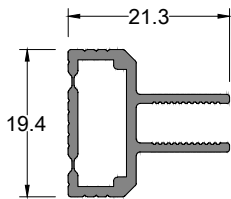
Kapak Altı Profili	Profil Kodu	(kg/mt)
COVER UNDER PROFILE	Profile Code	weight
	5104	0,569



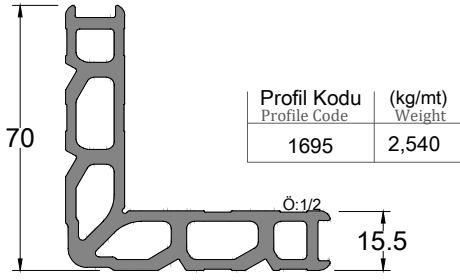
İzolatör Profili	Profil Kodu	(kg/mt)
ISOLATOR PROFILE	Profile Code	weight
	5097	0,198



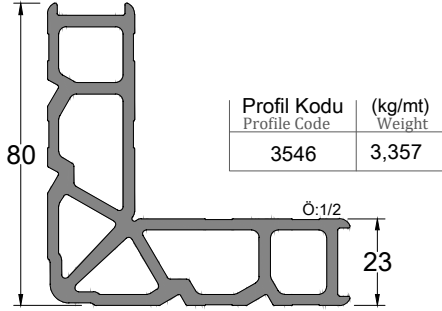
İzolatör Profili	Profil Kodu	(kg/mt)
ISOLATOR PROFILE	Profile Code	weight
	5059	0,210



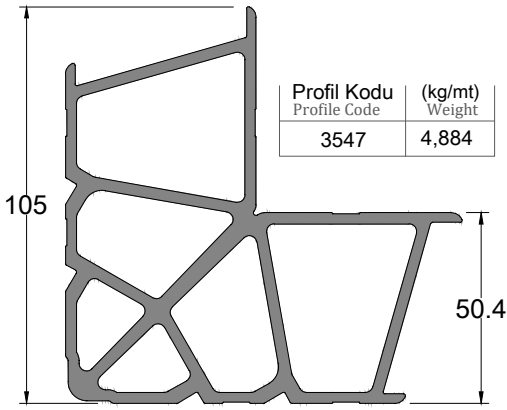
Cam Altı Takoz Profili	Profil Kodu	(kg/mt)
SUB-GLASS WEDGE PROFILE	Profile Code	Weight
	6117	0,254



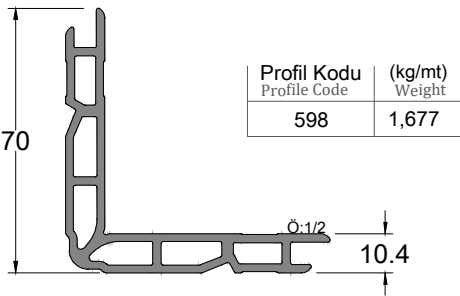
Köşe Takoğu Profil Kodu Corner Wedge Profile Code	Kullanıldığı Profil Compatible Profile	Kesim Boyu (mm) Cutting Length (mm)
1695	12301	55,45 mm



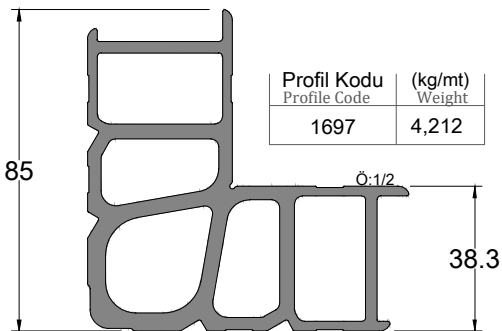
Köşe Takoğu Profil Kodu Corner Wedge Profile Code	Kullanıldığı Profil Compatible Profile	Kesim Boyu (mm) Cutting Length (mm)
3546	12298	20,50 mm



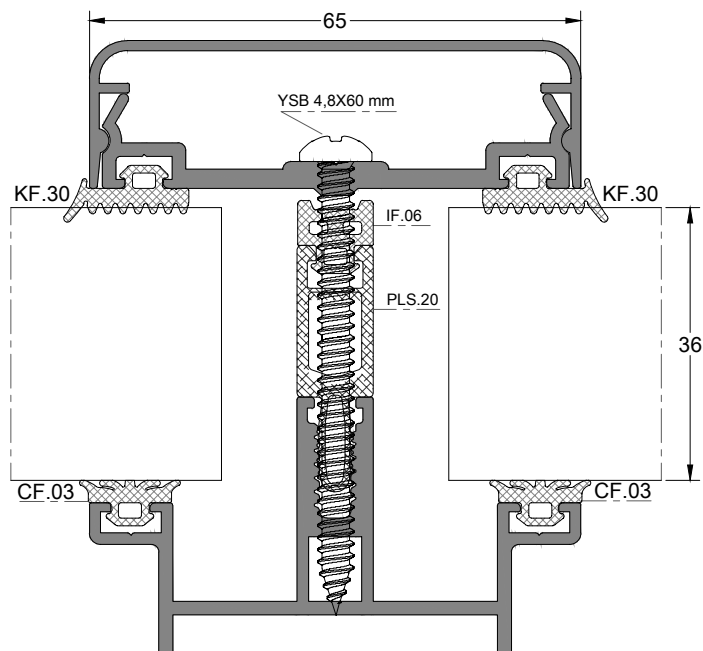
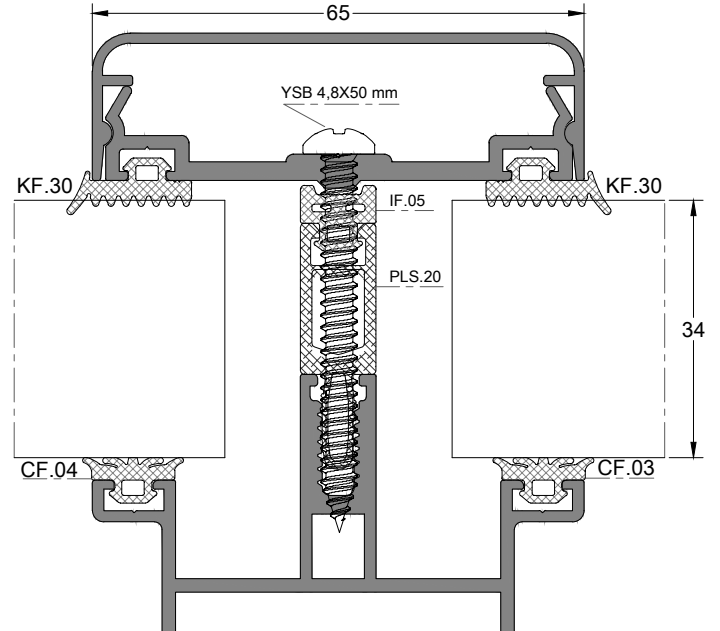
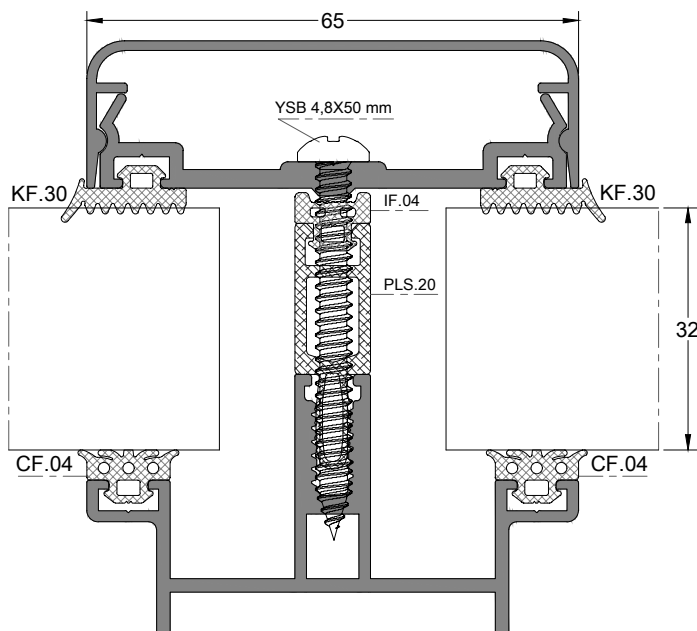
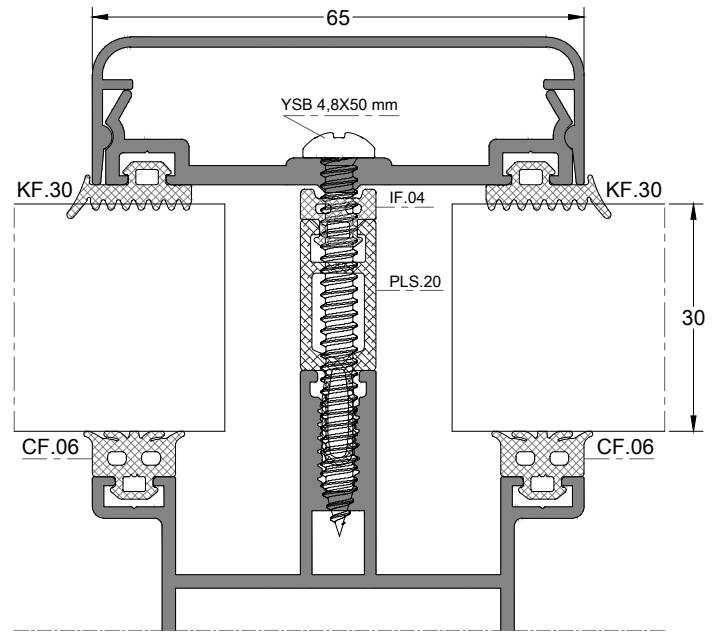
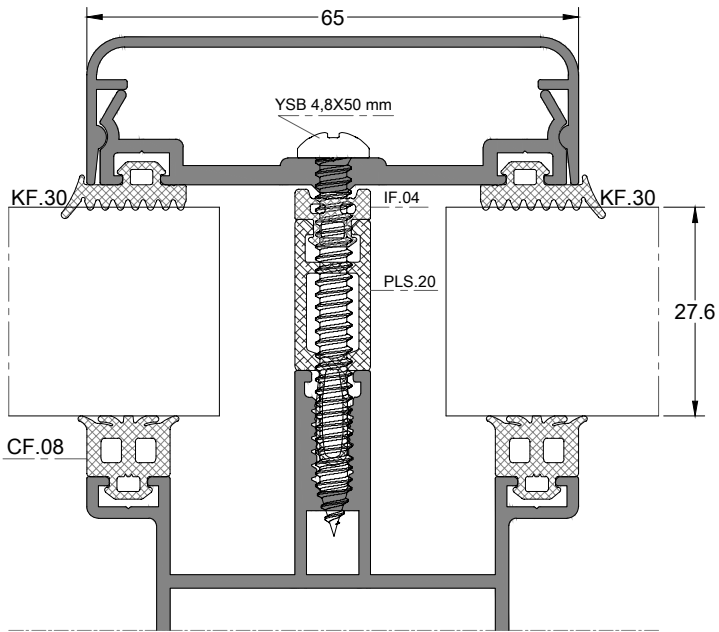
Köşe Takoğu Profil Kodu Corner Wedge Profile Code	Kullanıldığı Profil Compatible Profile	Kesim Boyu (mm) Cutting Length (mm)
3547	12299	24,50 mm

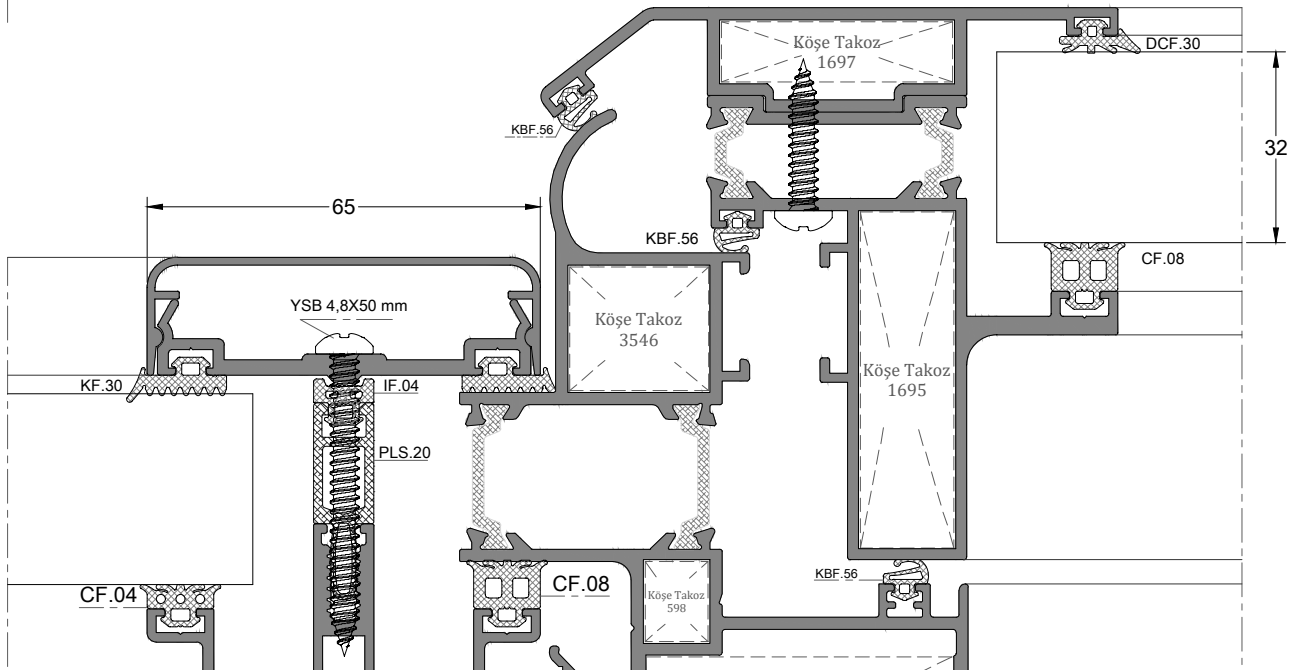
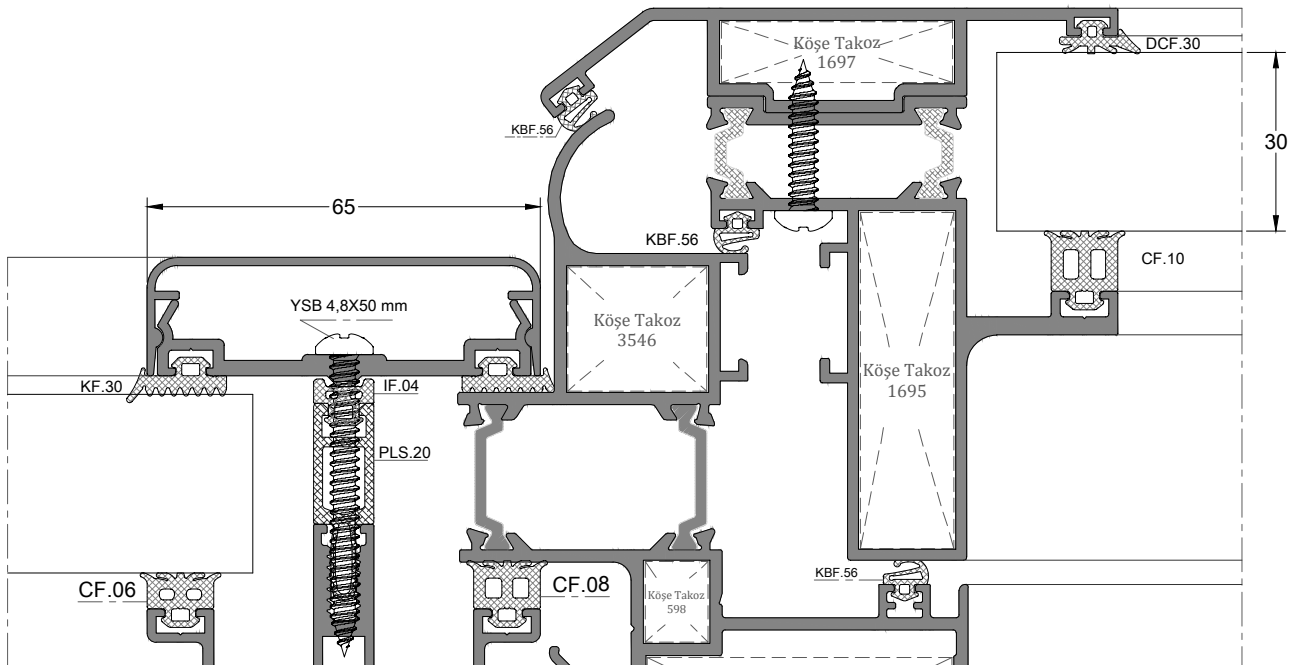
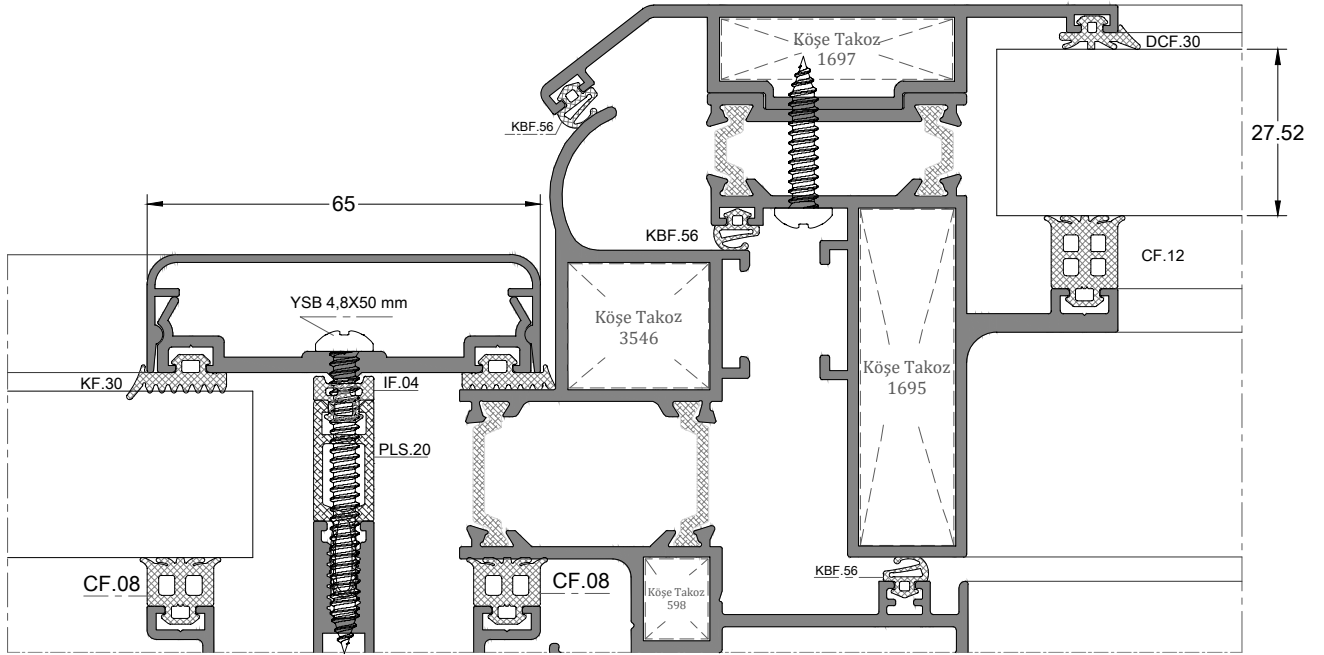


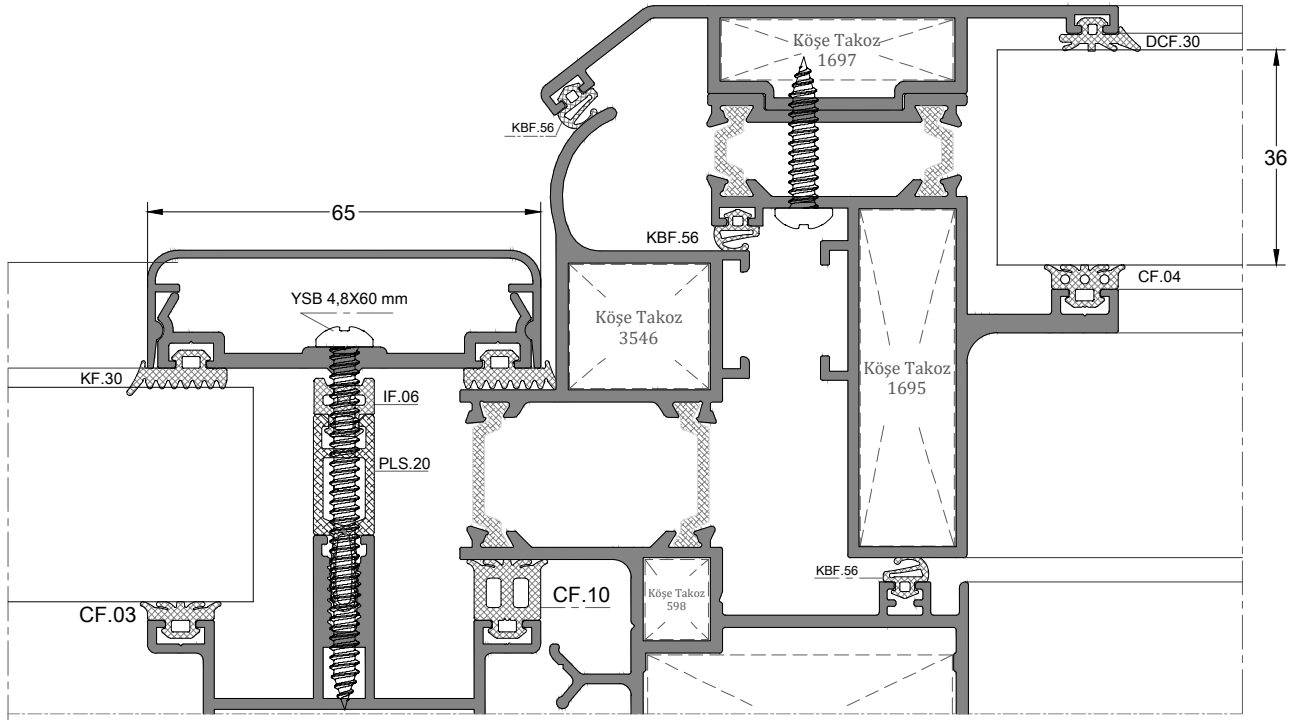
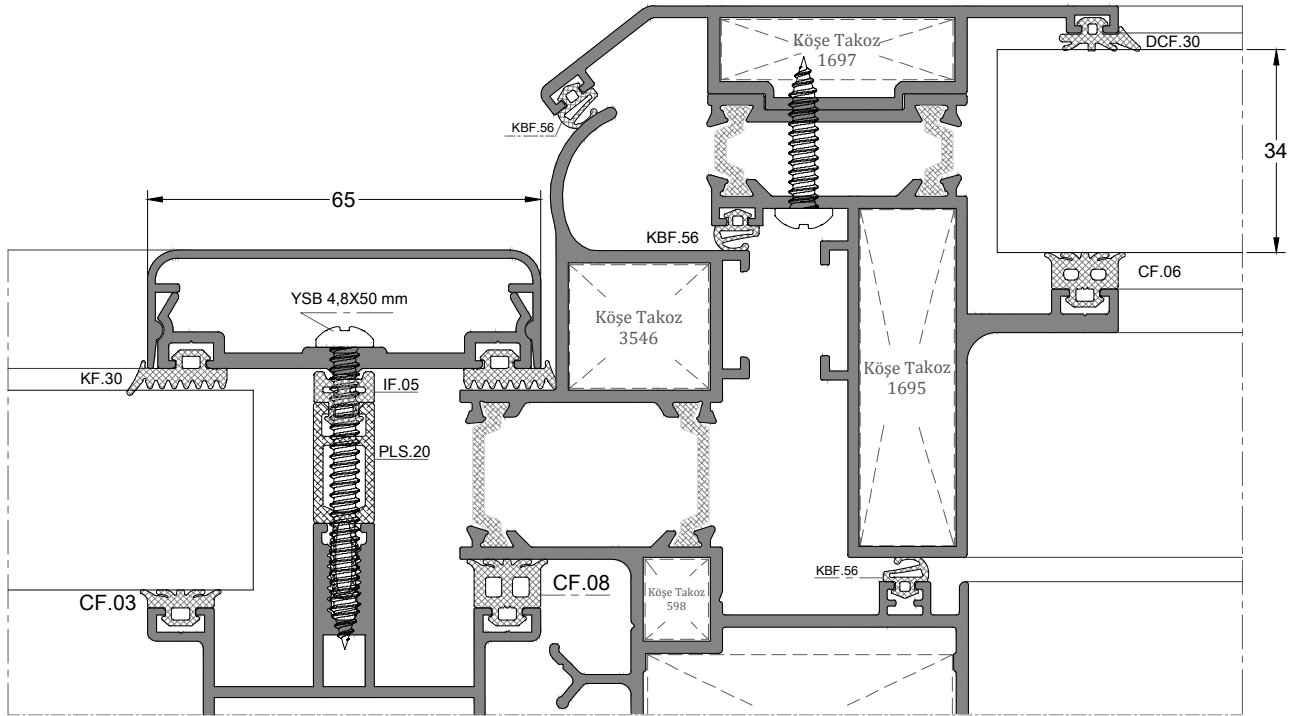
Köşe Takoğu Profil Kodu Corner Wedge Profile Code	Kullanıldığı Profil Compatible Profile	Kesim Boyu (mm) Cutting Length (mm)
598	12299	13,30 mm



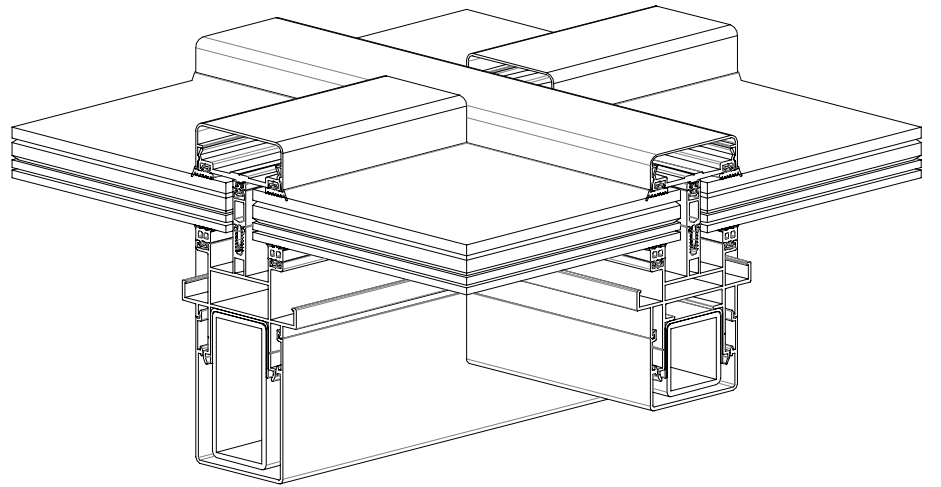
Köşe Takoğu Profil Kodu Corner Wedge Profile Code	Kullanıldığı Profil Compatible Profile	Kesim Boyu (mm) Cutting Length (mm)
1697	12303	10,00 mm





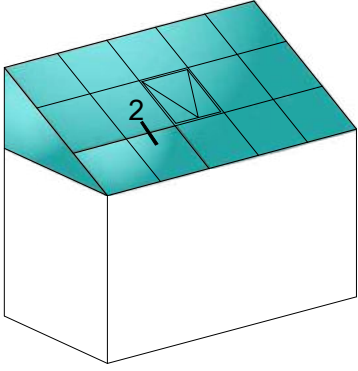


# SK65 IŐIKLIK SİSTEMİ DETAYLARI SK65 SKYLIGHT DETAILS

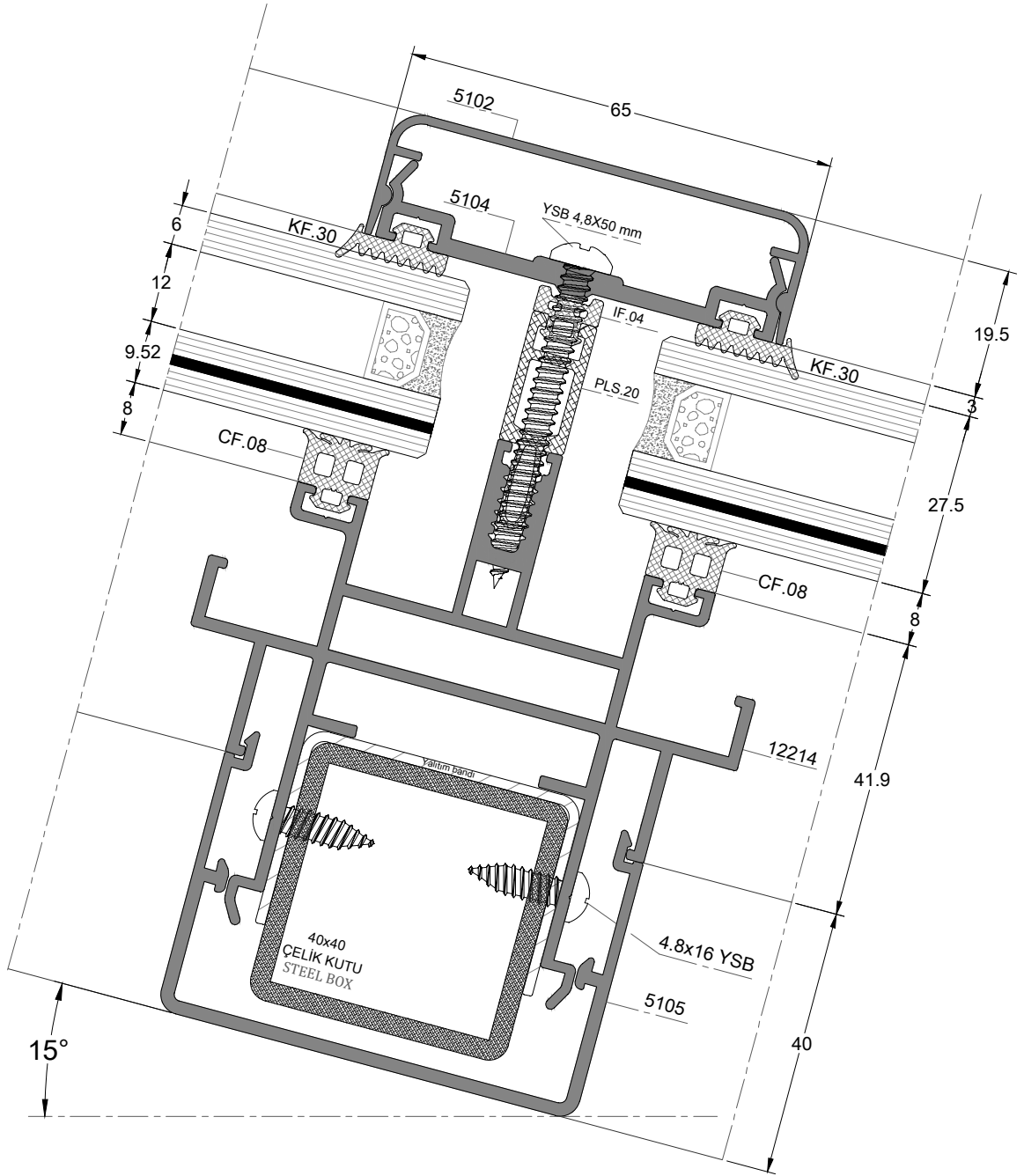






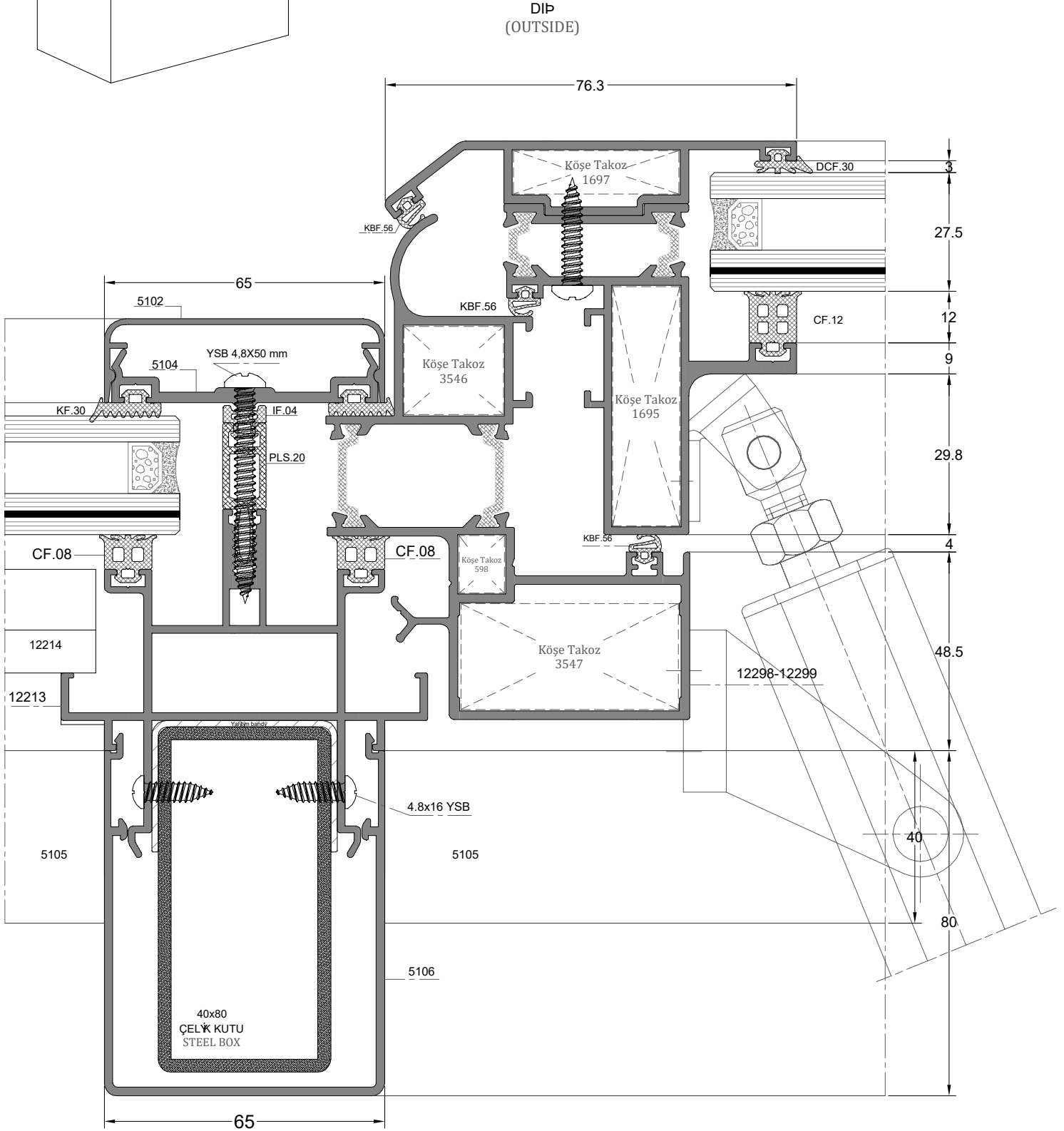
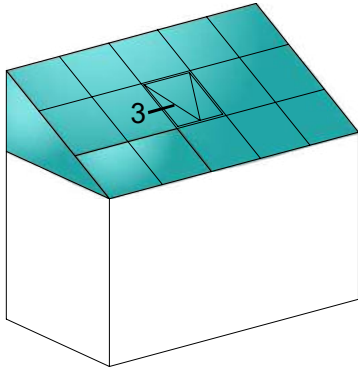


DIŞ  
(OUTSIDE)



İÇ  
(INSIDE)

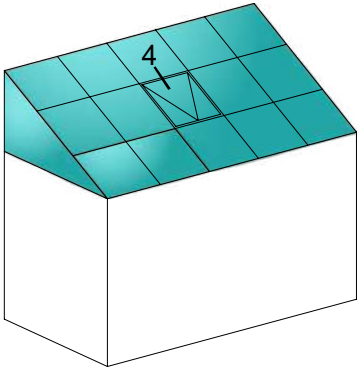
D-2



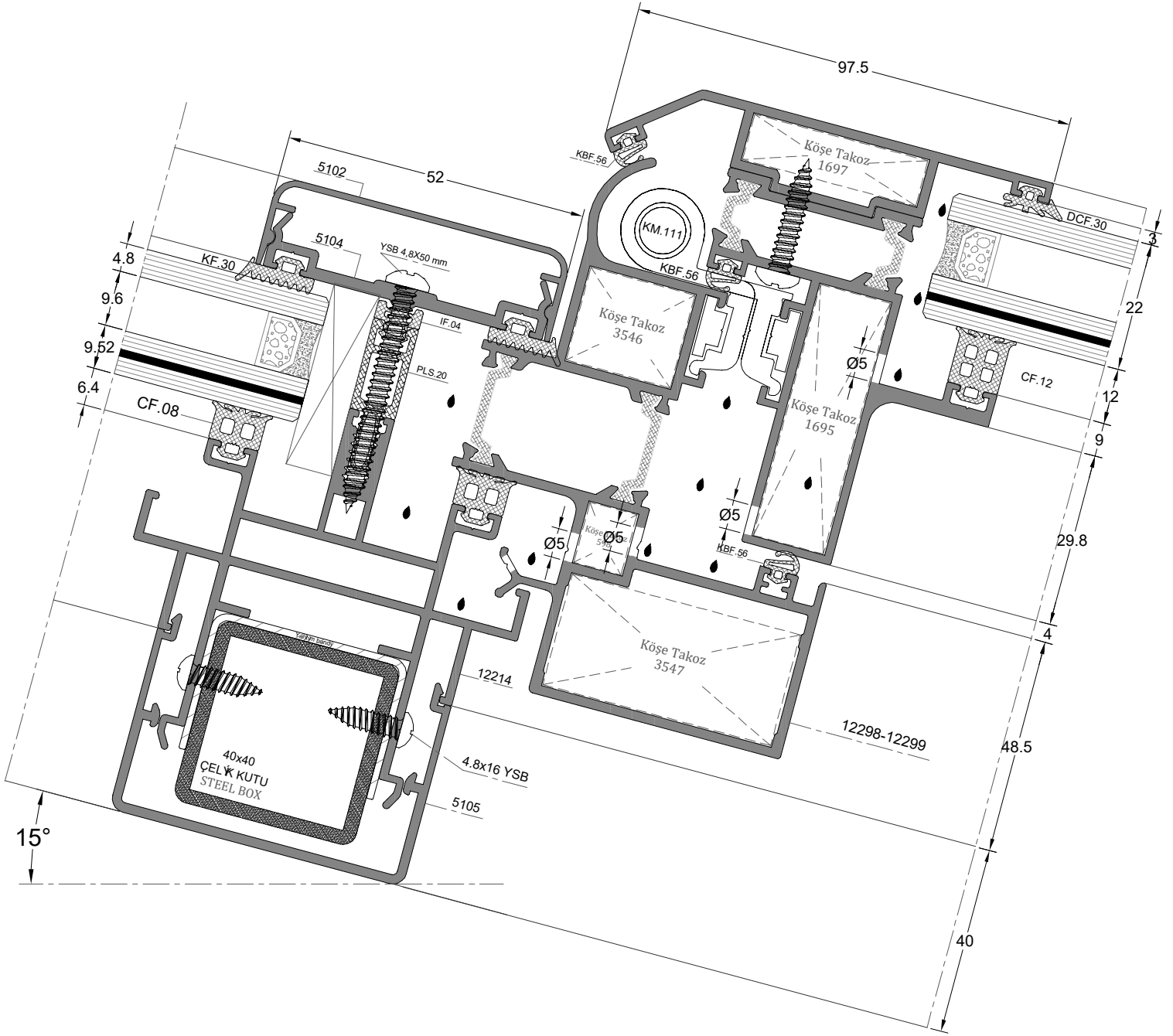
D-3

Ç  
(INSIDE)

ÖLÇEK  
(SCALE)  $\frac{4}{5}$



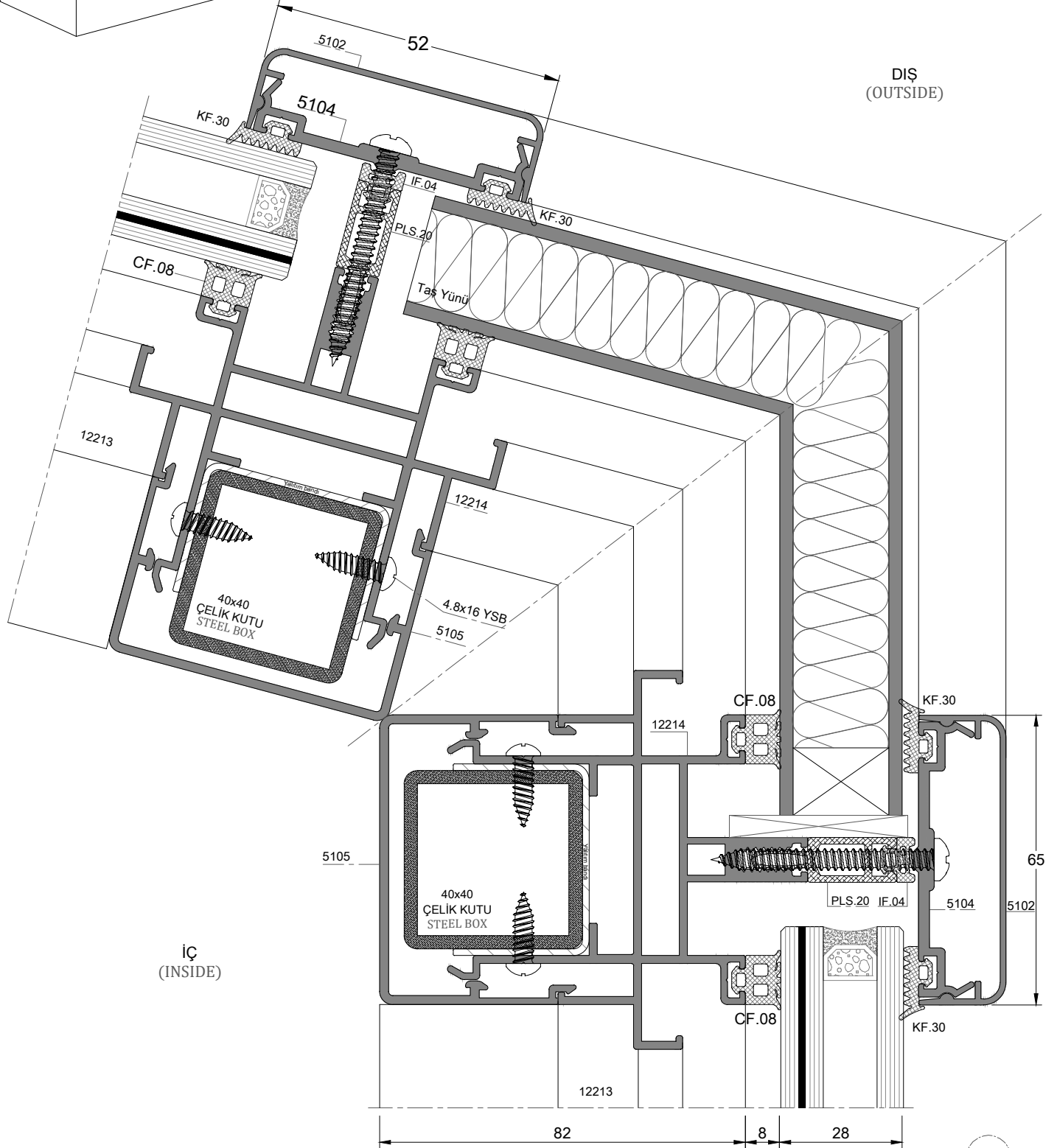
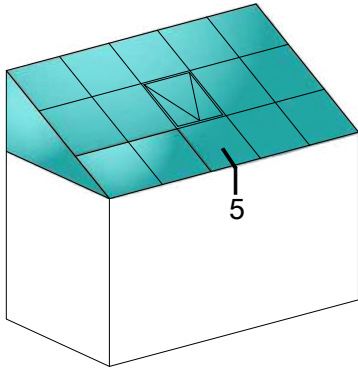
DİP  
(OUTSIDE)



D-4

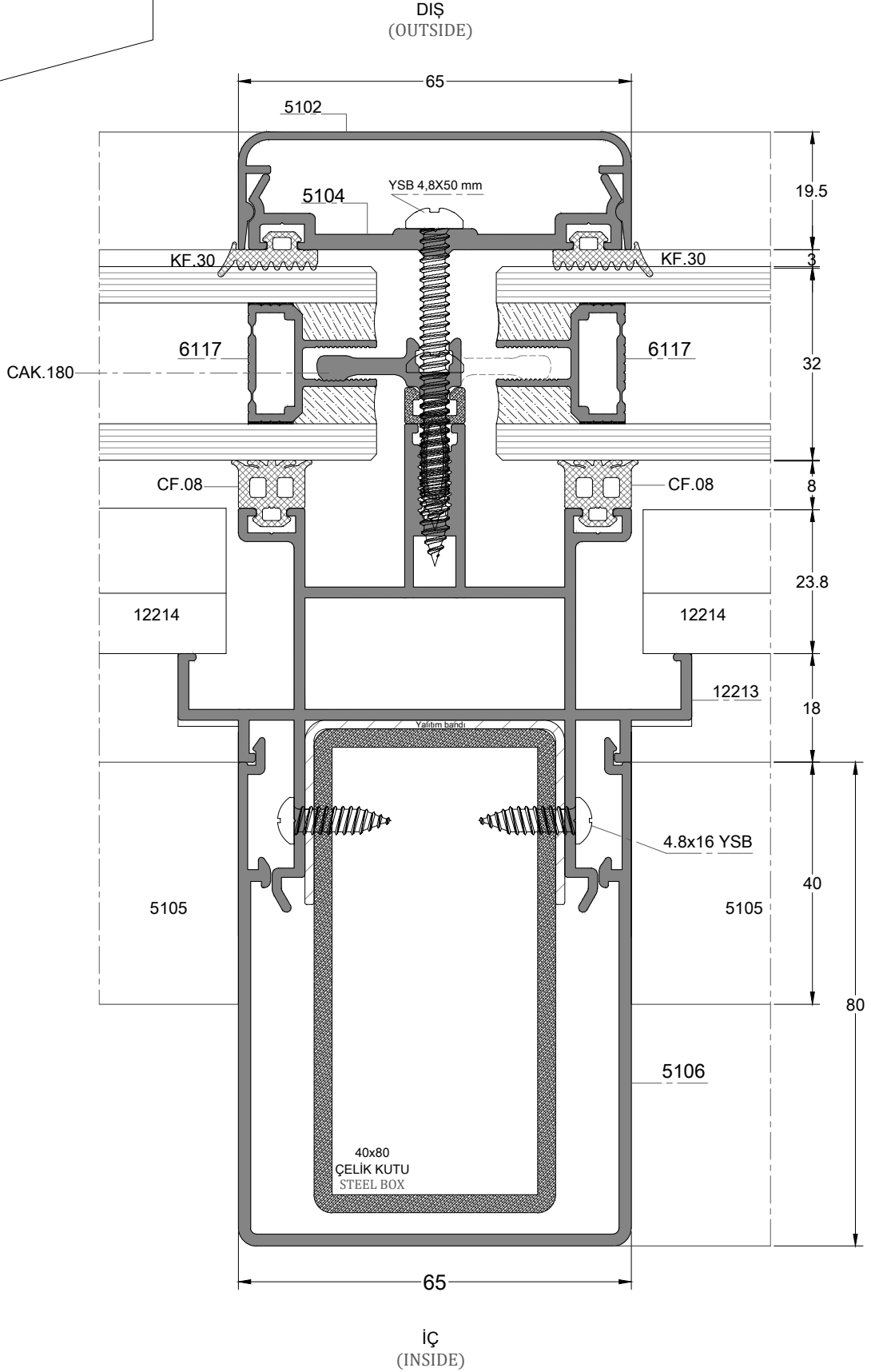
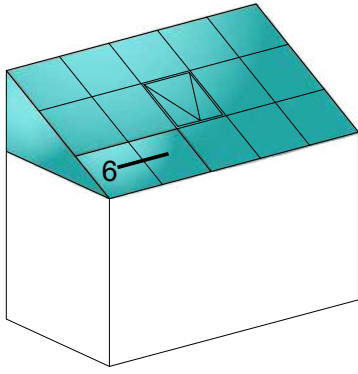
İÇ  
(INSIDE)

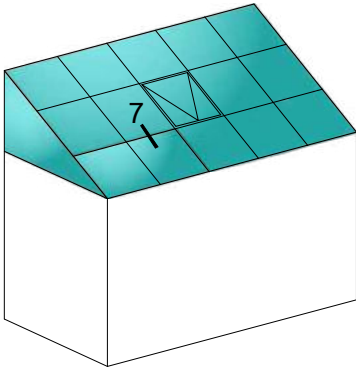
ÖLÇEK  
(SCALE)  $\frac{4}{5}$



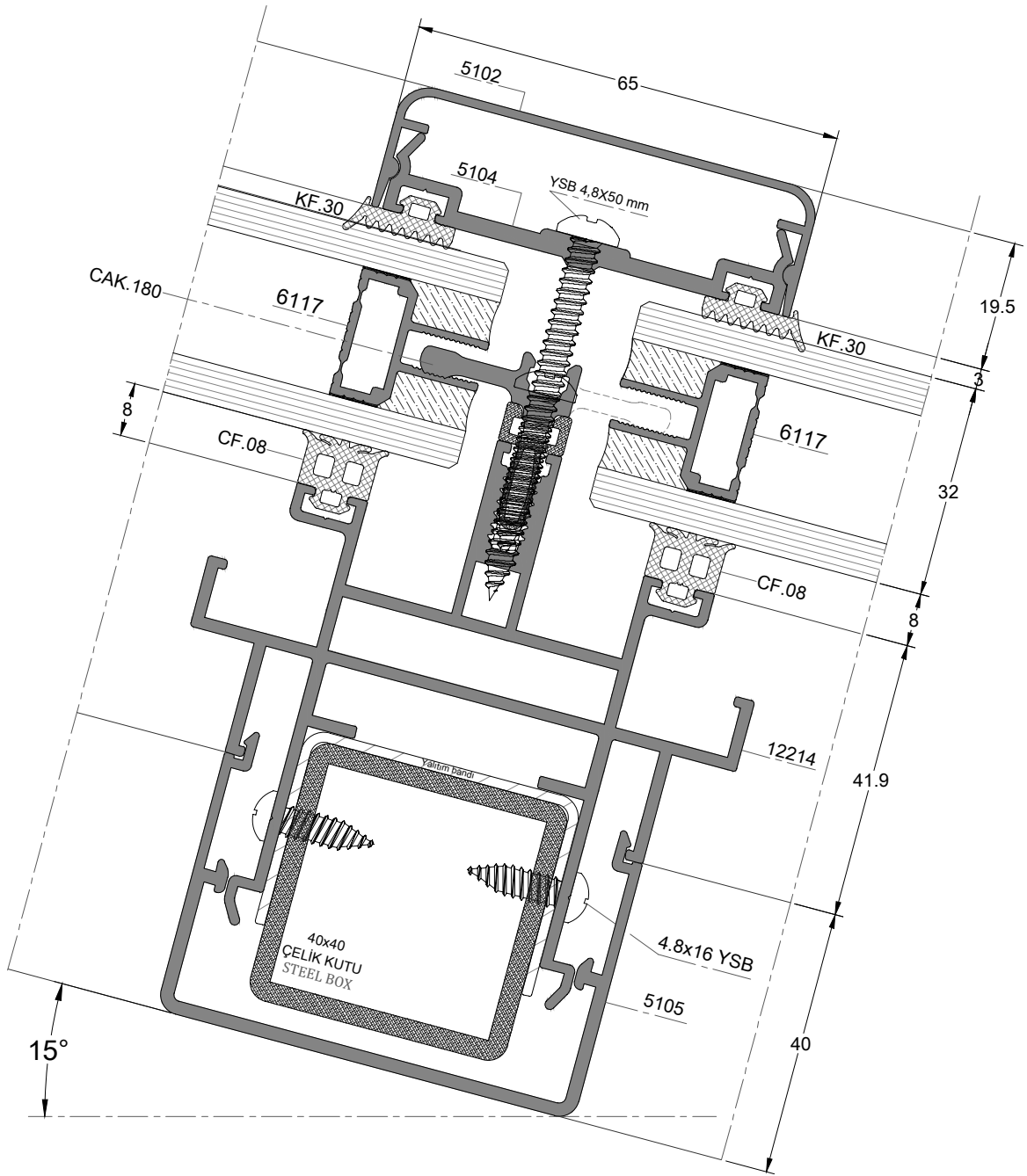
D-5

ÖLÇEK  
(SCALE)  $\frac{4}{5}$





DIŞ  
(OUTSIDE)



İÇ  
(INSIDE)

D-7